



PN 10 - DN 40...300

KAT-A 1030-1033-F4-Pneum

Product characteristics and benefits

- Resilient seated in accordance with EN 1074 (DIN 3352 - 4A)
- Face-to-face length acc. to EN 558-1, basic series 14 (DIN 3202, F4)
- With flange ends on both sides acc. to EN 1092-2
- Low operating torque due to plastic sliding guides on the wedge
- With pneumatic actuator
- Maintenance-free and corrosion-resistant stem sealing
- With triple O-ring sealing
- Suitable for vacuum of up to 90%

Materials

- Body: Ductile iron EN-GJS-400-15 (GGG-40)
- Bonnet: Ductile iron EN-GJS-400-15 (GGG-40)
- Wedge: Ductile iron EN-GJS-400-15 (GGG-40) encapsulated with EPDM vulcanized (water/sea water), for Wastewater encapsulated with NBR vulcanized
- Bonnet bolts: Stainless steel A2 (DIN EN ISO 3506)
- Stem nut: Brass (water)

Corrosion protection

- Internally and externally epoxy coated acc. to GSK guidelines

Versions

- Standard version as described
- Stem nut made of bronze and wedge made of ductile iron EN-GJS 400-15 (GGG-40), NBR coated all over (waste water)

Field of application

- Chamber installation
- Installation in plants



Tests and approvals

- Final inspection test acc. to EN 12266
- DVGW tested and registered
- Elastomers approved according to W 270 (EPDM)

Note

For proper installation and safe operation please follow the installation and operation instructions:

“Installation and Operating Instructions for Valves”

Field of application

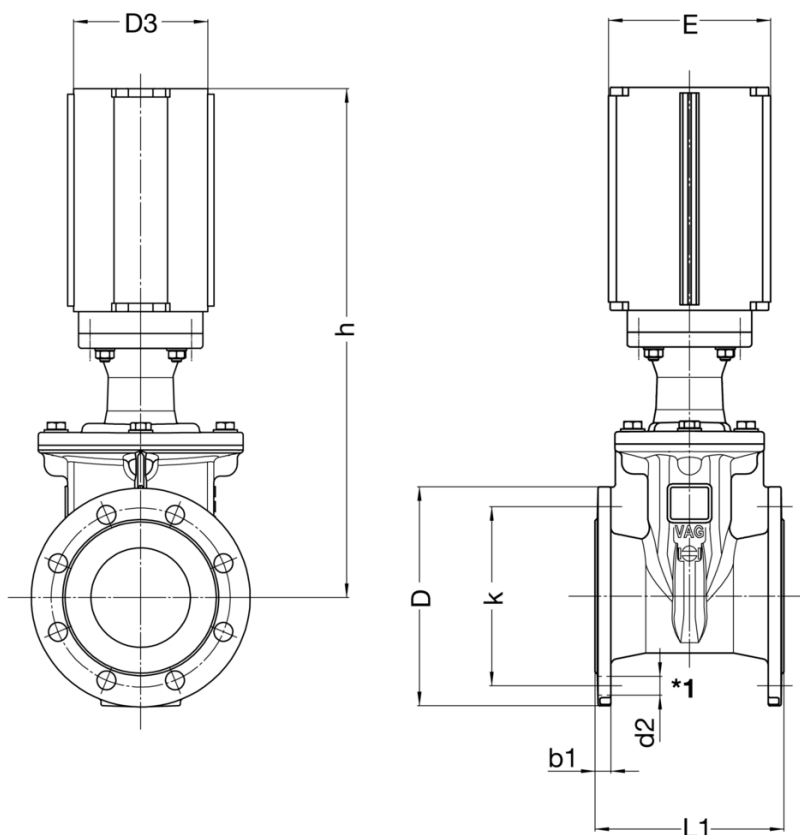
DN	PN	Maximum operating pressure [bar]	Maximum operating temperature for neutral liquids [°C]
40...300	10	10	50

Pressure test acc. to EN 12266

Test pressure body with water [bar]	Test pressure seat with water [bar]
15	11



Drawing



*1: For size DN 400, attach the two upper flange connection screws with nuts to DIN 439/B (flat form).

Technical data

PN 10

DN	40	50	65	80	100	125	150	200	250	300
D	[mm] 150	165	185	200	220	250	285	340	405	460
E	[mm] 131	131	163	163	163	199	199	271	271	308
k	[mm] 110	125	145	160	180	210	240	295	350	400
D3	119	119	147	147	147	182	182	216	216	260
L1	[mm] 140	150	170	180	190	200	210	230	250	270
b1	[mm] 19	19	19	19	19	19	19	20	22	25
d2	[mm] 19	19	19	19	19	19	23	23	23	23
h	[mm] 418	423	493	498	527	590	678	941	1048	1304
No. of holes	4	4	4	8	8	8	8	8	12	12
Festo actuator	DLP 100	DLP 100	DLP 125	DLP 125	DLP 125	DLP 160	DLP 160	DLP 200	DLP 200	DLP 250