


**PN 10/16 - DN 40...600**

KAT-A 1030-F4-W

**Product characteristics and benefits**

- Resilient seated in accordance with EN 1074 (DIN 3352 - 4A)
- Face-to-face length acc. to EN 558-1, basic series 14 (DIN 3202, F4)
- With flange ends on both sides acc. to EN 1092-2
- Low operating torque due to plastic sliding guides on the wedge
- Maintenance-free and corrosion-resistant stem sealing
- With triple O-ring sealing
- Low wear due to wedge guiding and elongated stem bearing
- Suitable for vacuum of up to 90%

**Materials**

- Body: Ductile iron EN-GJS-400-15 (GGG-40)
- Bonnet: Ductile iron EN-GJS-400-15 (GGG-40)
- Wedge: Ductile iron EN-GJS-400-15 (GGG-40) encapsulated with EPDM vulcanized
- Bonnet bolts: Stainless steel A2 (DIN EN ISO 3506)
- Stem: Stainless steel 1.4021
- Stem nut: Brass

**Corrosion protection**

- Internally and externally epoxy coated acc. to GSK guidelines

**Versions**

- Standard version as described
- With rising stem (until DN 600)
- Actuator:
  - Electric
  - Prepared for electric
  - Pneumatic (until DN 300)
  - Handwheel

**Field of application**

- Underground installation
- Chamber installation
- Installation in plants


**Tests and approvals**

- Final inspection test acc. to EN 12266
- DVGW tested and registered
- Elastomers approved acc. to W270

**Accessories**

- T-key
- Installation equipment
- Extension spindle
- Surface box cast iron
- Plastic base plate
- VAG SERIO<sup>®</sup>plus position indicator

**Note**

For proper installation and safe operation please follow the installation and operation instructions:

“Installation and Operating Instructions for Valves”

**Operating conditions**

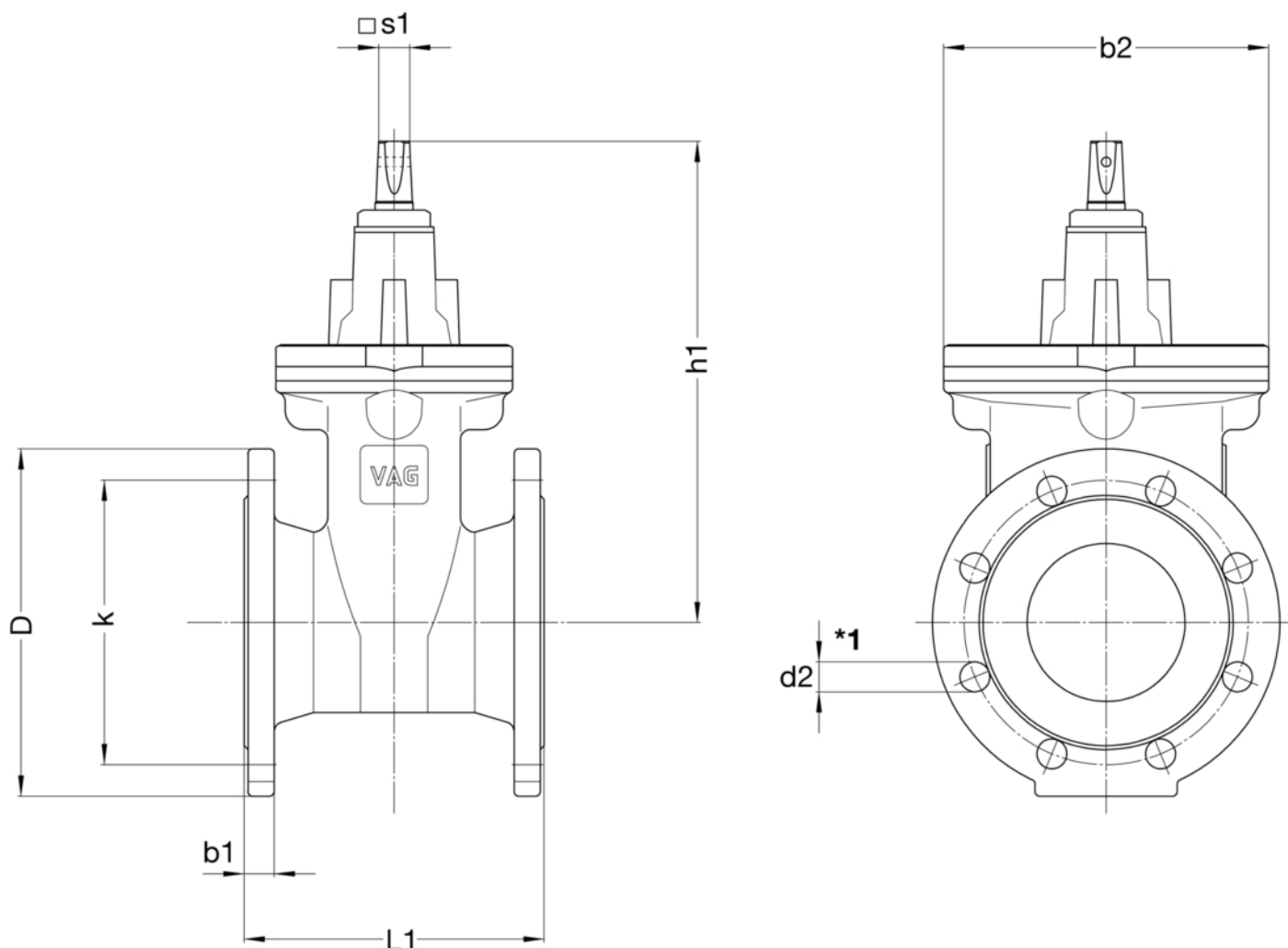
DN	PN	Maximum operating pressure [bar]	Maximum operating temperature for medium [°C]
40...500	16	16	50
200...600	10	10	50

**Pressure test acc. to EN 12266**

Test pressure body with water [bar]	Test pressure seat with water [bar]
24	17,6
15	11



Drawing



\*1: For size DN 400, attach the two upper flange connection screws with nuts to DIN 439/B (flat form).

DN 500 and 600 with bypass DN 40

Technical data

PN 10

DN	200	250	300	350	400	500	600
D [mm]	340	400	455	520	580	670	780
k [mm]	295	350	400	460	515	620	725
L1 [mm]	230	250	270	290	310	350	390
b1 [mm]	20	22	24.5	26.5	28.5	31.5	30
b2 [mm]	330	413	472	619	619	726	954
d2 [mm]	23	23	23	23	28	28	31
h1 [mm]	493	606	670	852	936	1096	1289
∅ s1 [mm]	24	27	27	27	32	32	36
No. of holes	8	12	12	16	16	20	20
Turns/stroke	34	43	51	59	50	64	75
Weight approx. [kg]	53.50	86.00	115.00	247.00	310.00	510.00	705.00
Volume approx. [m <sup>3</sup> ]	0.052	0.084	0.115	0.199	0.235	0.37	0.816


**Technical data**
**PN 16**

DN		40	50	65	80	100	125	150	200	250	300	350	400
D	[mm]	150	165	185	200	220	250	285	340	400	455	520	580
k	[mm]	110	125	145	160	180	210	240	295	355	410	470	525
L1	[mm]	140	150	170	180	190	200	210	230	250	270	290	310
b1	[mm]	19	19	19	19	19	19	19	20	22	24.5	26.5	28.5
b2	[mm]	121	121	206	206	206	228	252	330	413	472	619	619
d2	[mm]	19	19	19	19	19	19	23	23	28	28	28	31
h1	[mm]	226	233	273	278	310	347	386	493	606	670	852	936
∅ s1	[mm]	14	14	17	17	19	19	19	24	27	27	27	32
No. of holes		4	4	4	8	8	8	8	12	12	12	16	16
Turns/stroke		10	12	16	20	20	25	30	34	43	51	59	50
Weight approx.	[kg]	8.20	9.20	13.50	15.50	17.90	25.70	32.40	52.00	85.50	114.10	247.00	310.00
Volume approx.	[m <sup>3</sup> ]	0.006	0.008	0.013	0.014	0.018	0.024	0.032	0.052	0.084	0.115	0.199	0.235

**PN 16**

DN		500	600
D	[mm]	715	840
k	[mm]	650	770
L1	[mm]	350	390
b1	[mm]	31.5	36
b2	[mm]	726	954
d2	[mm]	34	37
h1	[mm]	1096	1289
∅ s1	[mm]	32	36
No. of holes		20	20
Turns/stroke		64	75
Weight approx.	[kg]	530.00	720.00
Volume approx.	[m <sup>3</sup> ]	0.37	0.816