



**PN 10/16/25 - DN 40...600**

KAT-A 1030-F5-W

### Product characteristics and benefits

- Resilient seated in accordance with EN 1074 (DIN 3352 - 4B)
- Face-to-face length acc. to EN 558-1, basic series 15 (DIN 3202, F5)
- With flange ends on both sides acc. to EN 1092-2
- Low operating torque due to plastic sliding guides on the wedge
- Maintenance-free and corrosion-resistant stem sealing
- With triple O-ring sealing
- Low wear due to wedge guiding and elongated stem bearing
- Suitable for vacuum of up to 90%

### Materials

- Body: Ductile iron EN-GJS-400-15 (GGG-40)
- Bonnet: Ductile iron EN-GJS-400-15 (GGG-40)
- Wedge: Ductile iron EN-GJS-400-15 (GGG-40) encapsulated with EPDM vulcanized
- Bonnet bolts: Stainless steel A2 (DIN EN ISO 3506)
- Stem: Stainless steel 1.4021
- Stem nut: Brass

### Corrosion protection

- Internally and externally epoxy coated acc. to GSK guidelines

### Versions

- Standard version as described
- With rising stem (until DN 600)
- Actuator:
  - Electric
  - Prepared for electric
  - Pneumatic (until DN 300)
  - Handwheel
- PN 25 on request only

### Field of application

- Underground installation
- Chamber installation
- Installation in plants



### Tests and approvals

- Final inspection test acc. to EN 12266
- DVGW tested and registered (PN 10/16)
- Elastomers approved acc. to W270
- NF Certification

### Accessories

- T-key
- Installation equipment
- Extension spindle
- Surface box cast iron
- Plastic base plate
- VAG SERIO<sup>®</sup>plus position indicator

### Note

For proper installation and safe operation please follow the installation and operation instructions:

“Installation and Operating Instructions for Valves”

### Operating conditions

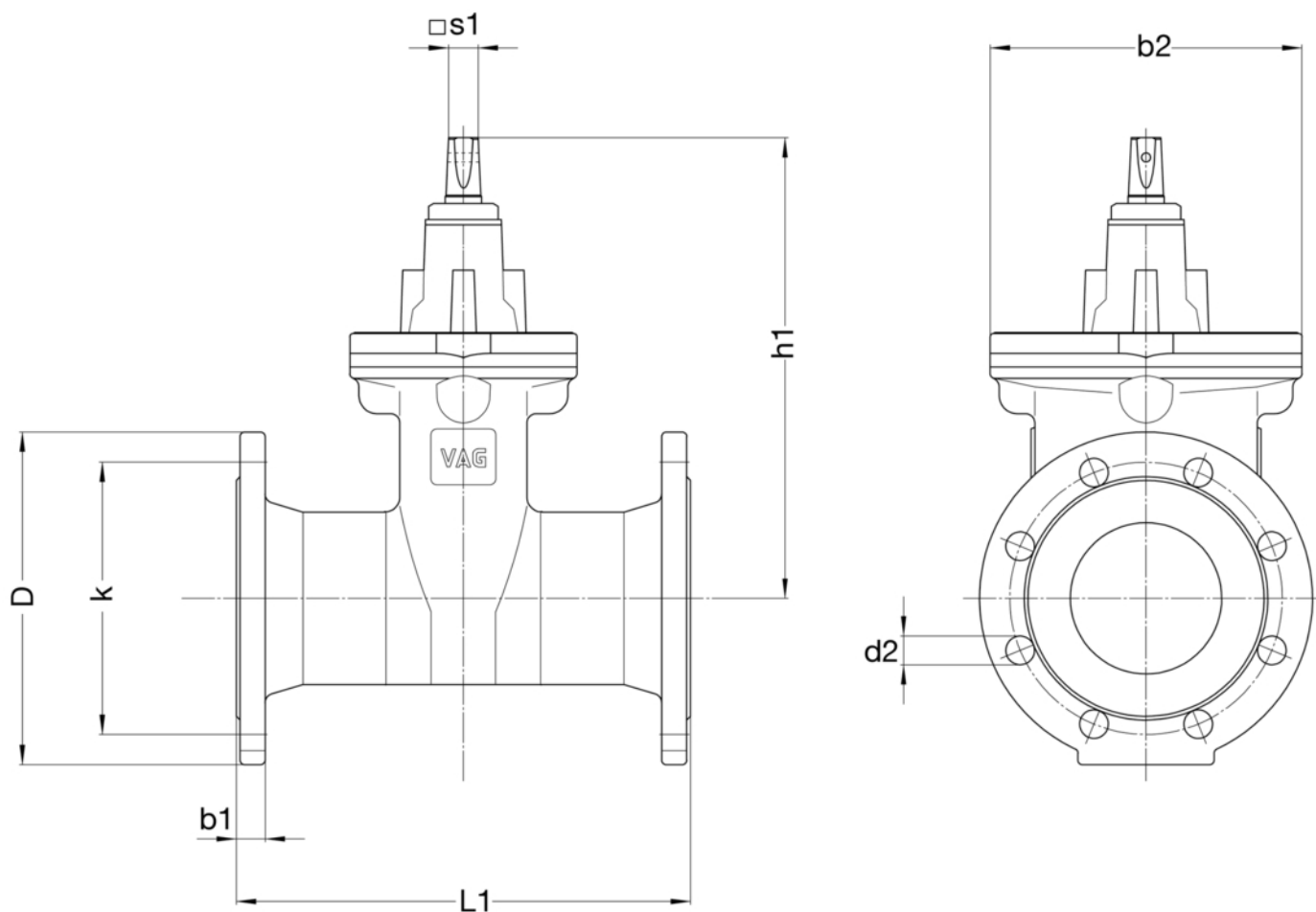
| DN        | PN | Maximum operating pressure [bar] | Maximum operating temperature for medium [°C] |
|-----------|----|----------------------------------|---|
| 40...500  | 25 | 25                               | 50  |
| 40...500  | 16 | 16                               | 50  |
| 200...600 | 10 | 10                               | 50  |

### Pressure test acc. to EN 12266

| Test pressure body with water [bar] | Test pressure seat with water [bar] |
|-------------------------------------|-------------------------------------|
| 38                                  | 28                                  |
| 24                                  | 17,6                                |
| 15                                  | 11                                  |



Drawing



DN 600 - PN 10: Passage as DN 500  
DN 500 and 600 with bypass DN 40

Technical data

PN 10

| DN                               | 200   | 250   | 300    | 350    | 400    | 500    | 600    |
|----------------------------------|-------|-------|--------|--------|--------|--------|--------|
| D [mm]                           | 340   | 400   | 455    | 520    | 580    | 715    | 780    |
| k [mm]                           | 295   | 350   | 400    | 460    | 515    | 620    | 725    |
| L1 [mm]                          | 400   | 450   | 500    | 550    | 600    | 700    | 800    |
| b1 [mm]                          | 20    | 22    | 24.5   | 26.5   | 28.5   | 31.5   | 30     |
| b2 [mm]                          | 330   | 413   | 472    | 619    | 619    | 726    | 726    |
| d2 [mm]                          | 23    | 23    | 23     | 23     | 28     | 28     | 31     |
| h1 [mm]                          | 493   | 606   | 670    | 852    | 936    | 1096   | 1096   |
| ∅ s1 [mm]                        | 24    | 27    | 27     | 27     | 32     | 32     | 32     |
| No. of holes                     | 8     | 12    | 12     | 16     | 16     | 20     | 20     |
| Turns/stroke                     | 34    | 43    | 51     | 59     | 50     | 64     | 64     |
| Weight approx. [kg]              | 57.30 | 99.00 | 132.30 | 276.00 | 348.00 | 538.00 | 660.00 |
| Volume approx. [m <sup>3</sup> ] | 0.09  | 0.147 | 0.207  | 0.318  | 0.426  | 0.727  | 0.927  |


**Technical data**
**PN 16**

| DN             |                   | 40    | 50    | 65    | 80    | 100   | 125   | 150   | 200   | 250   | 300    | 350    | 400    |
|----------------|-------------------|-------|-------|-------|-------|-------|-------|-------|-------|-------|--------|--------|--------|
| D              | [mm]              | 150   | 165   | 185   | 200   | 220   | 250   | 285   | 340   | 400   | 455    | 520    | 580    |
| k              | [mm]              | 110   | 125   | 145   | 160   | 180   | 210   | 240   | 295   | 355   | 410    | 470    | 525    |
| L1             | [mm]              | 240   | 250   | 270   | 280   | 300   | 325   | 350   | 400   | 450   | 500    | 550    | 600    |
| b1             | [mm]              | 19    | 19    | 19    | 19    | 19    | 19    | 19    | 20    | 22    | 24.5   | 26.5   | 28.5   |
| b2             | [mm]              | 121   | 121   | 206   | 206   | 206   | 228   | 252   | 330   | 413   | 472    | 619    | 619    |
| d2             | [mm]              | 19    | 19    | 19    | 19    | 19    | 19    | 23    | 23    | 28    | 28     | 28     | 31     |
| h1             | [mm]              | 226   | 233   | 273   | 278   | 310   | 347   | 386   | 493   | 606   | 670    | 852    | 936    |
| ∅ s1           | [mm]              | 14    | 14    | 17    | 17    | 19    | 19    | 19    | 24    | 27    | 27     | 27     | 32     |
| No. of holes   |                   | 4     | 4     | 4     | 8     | 8     | 8     | 8     | 12    | 12    | 12     | 16     | 16     |
| Turns/stroke   |                   | 10    | 12    | 16    | 20    | 20    | 25    | 30    | 34    | 43    | 51     | 59     | 50     |
| Weight approx. | [kg]              | 8.70  | 9.70  | 14.50 | 16.90 | 22.50 | 27.80 | 34.70 | 56.90 | 97.50 | 131.80 | 276.00 | 348.00 |
| Volume approx. | [m <sup>3</sup> ] | 0.011 | 0.013 | 0.018 | 0.02  | 0.028 | 0.038 | 0.053 | 0.09  | 0.147 | 0.207  | 0.318  | 0.426  |

**PN 16**

| DN             |                   | 500    |
|----------------|-------------------|--------|
| D              | [mm]              | 715    |
| k              | [mm]              | 650    |
| L1             | [mm]              | 700    |
| b1             | [mm]              | 31.5   |
| b2             | [mm]              | 726    |
| d2             | [mm]              | 34     |
| h1             | [mm]              | 1096   |
| ∅ s1           | [mm]              | 32     |
| No. of holes   |                   | 20     |
| Turns/stroke   |                   | 64     |
| Weight approx. | [kg]              | 538.00 |
| Volume approx. | [m <sup>3</sup> ] | 0.727  |

**PN 25**

| DN             |                   | 40    | 50    | 65    | 80    | 100   | 125   | 150   | 200   | 250    | 300    | 400    | 500    |
|----------------|-------------------|-------|-------|-------|-------|-------|-------|-------|-------|--------|--------|--------|--------|
| D              | [mm]              | 150   | 165   | 185   | 200   | 235   | 270   | 300   | 360   | 425    | 485    | 620    | 730    |
| k              | [mm]              | 110   | 125   | 145   | 160   | 190   | 220   | 250   | 310   | 370    | 430    | 550    | 660    |
| L1             | [mm]              | 240   | 250   | 270   | 280   | 300   | 325   | 350   | 400   | 450    | 500    | 600    | 700    |
| b1             | [mm]              | 19    | 19    | 19    | 19    | 19    | 19    | 20    | 22    | 24.5   | 27.5   | 32     | 36.5   |
| b2             | [mm]              | 121   | 121   | 206   | 206   | 206   | 228   | 252   | 330   | 413    | 472    | 619    | 726    |
| d2             | [mm]              | 19    | 19    | 19    | 19    | 23    | 28    | 28    | 28    | 31     | 31     | 37     | 37     |
| h1             | [mm]              | 226   | 233   | 273   | 278   | 310   | 347   | 386   | 493   | 606    | 670    | 936    | 1096   |
| ∅ s1           | [mm]              | 14    | 14    | 17    | 17    | 19    | 19    | 19    | 24    | 27     | 27     | 32     | 32     |
| No. of holes   |                   | 4     | 4     | 8     | 8     | 8     | 8     | 8     | 12    | 12     | 16     | 16     | 20     |
| Turns/stroke   |                   | 10    | 12    | 16    | 20    | 20    | 25    | 30    | 34    | 43     | 51     | 50     | 64     |
| Weight approx. | [kg]              | 8.70  | 9.70  | 14.50 | 16.90 | 22.50 | 27.80 | 34.70 | 56.90 | 110.50 | 131.80 | 337.00 | 538.00 |
| Volume approx. | [m <sup>3</sup> ] | 0.011 | 0.013 | 0.018 | 0.02  | 0.028 | 0.038 | 0.053 | 0.09  | 0.147  | 0.207  | 0.426  | 0.727  |