



PN 10/16 - DN 40...600

KAT-A 1033-F5-A

Product characteristics and benefits

- Resilient seated in accordance with EN 1074 (DIN 3352 - 4B)
- Face-to-face length acc. to EN 558-1, basic series 15 (DIN 3202, F5)
- With flange ends on both sides acc. to EN 1092-2
- Low operating torque due to plastic sliding guides on the wedge
- Maintenance-free and corrosion-resistant stem sealing
- With triple O-ring sealing
- Low wear due to wedge guiding and elongated stem bearing
- Suitable for vacuum of up to 90%

Materials

- Body: Ductile iron EN-GJS-400-15 (GGG-40)
- Bonnet: Ductile iron EN-GJS-400-15 (GGG-40)
- Wedge: Ductile iron EN-GJS-400-15 (GGG-40) encapsulated with NBR vulcanized
- Bonnet bolts: Stainless steel A2 (DIN EN ISO 3506)
- Stem: Stainless steel 1.4057
- Stem nut: Bronze

Corrosion protection

- Internally and externally epoxy coated acc. to GSK guidelines

Versions

- Standard version as described
- With rising stem (until DN 600)
- Actuator:
 - Electric
 - Prepared for electric
 - Pneumatic (until DN 300)
 - Handwheel

Field of application

- Underground installation
- Chamber installation
- Installation in plants



Tests and approvals

- Final inspection test acc. to EN 12266

Accessories

- T-key
- Installation equipment
- Extension spindle
- Surface box cast iron
- Plastic base plate
- VAG SERIO[®]plus position indicator

Note

For proper installation and safe operation please follow the installation and operation instructions:

“Installation and Operating Instructions for Valves”

Operating conditions

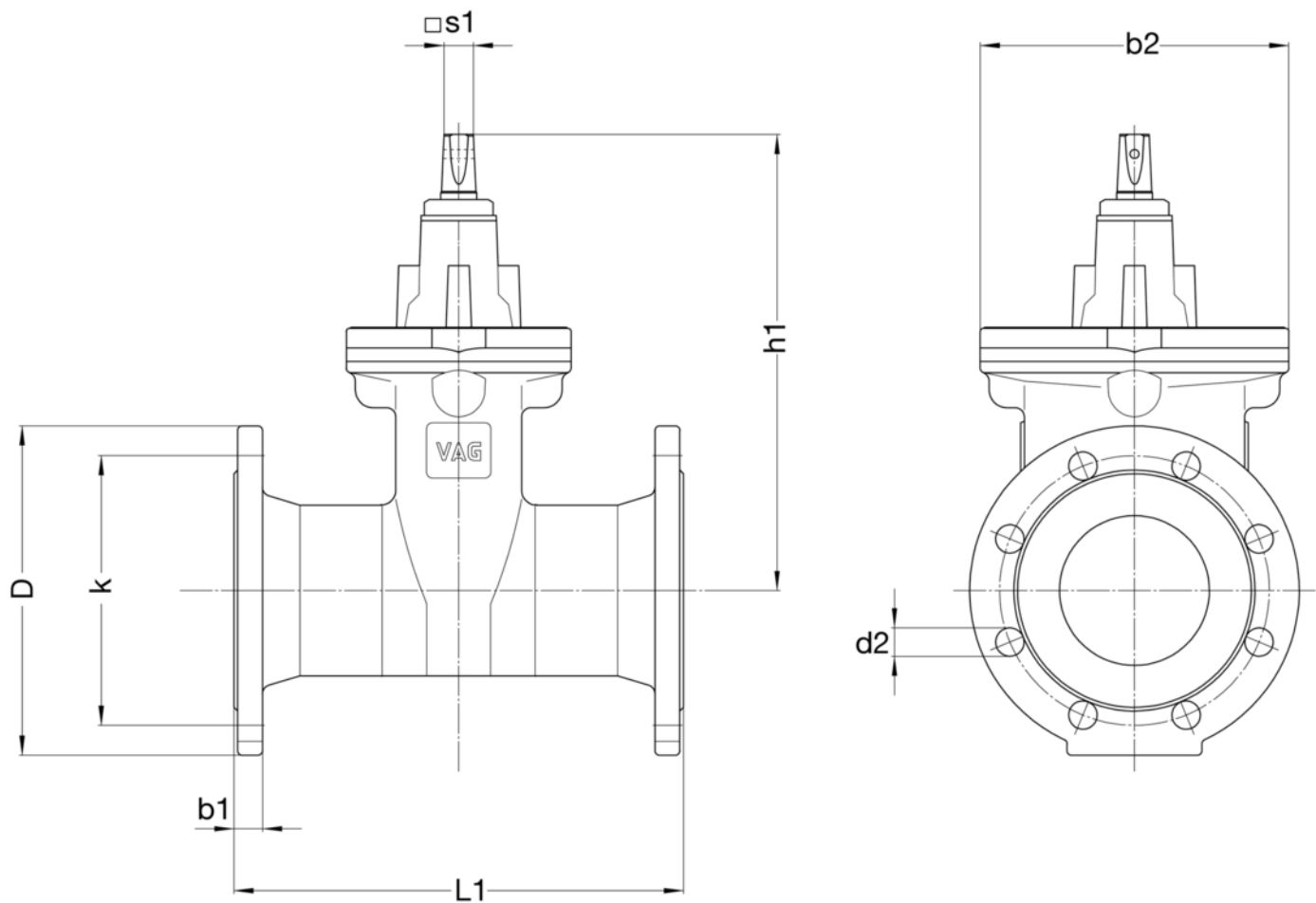
DN	PN	Maximum operating pressure [bar]	Maximum operating temperature for medium [°C]
40...500	16	16	50
200...600	10	10	50

Pressure test acc. to EN 12266

Test pressure body with water [bar]	Test pressure seat with water [bar]
24	17,6
15	11



Drawing



DN 600 - PN 10: Passage as DN 500
DN 500 and 600 with bypass DN 40

Technical data

PN 10

DN		200	250	300	350	400	500	600
D	[mm]	340	400	455	520	580	715	780
k	[mm]	295	350	400	460	515	620	725
L1	[mm]	400	450	500	550	600	700	800
b1	[mm]	20	22	24.5	26.5	28.5	31.5	30
b2	[mm]	330	413	472	619	619	726	726
d2	[mm]	23	23	23	23	28	28	31
h1	[mm]	493	606	670	852	936	1096	1096
∅ s1	[mm]	24	27	27	27	32	32	32
No. of holes		8	12	12	16	16	20	20
Turns/stroke		34	43	51	59	50	64	64
Weight approx.	[kg]	57.30	99.00	132.30	276.00	348.00	538.00	660.00
Volume approx.	[m ³]	0.09	0.147	0.207	0.318	0.426	0.727	0.927



Technical data

PN 16

DN		40	50	65	80	100	125	150	200	250	300	350	400
D	[mm]	150	165	185	200	220	250	285	340	400	455	520	580
k	[mm]	110	125	145	160	180	210	240	295	355	410	470	525
L1	[mm]	240	250	270	280	300	325	350	400	450	500	550	600
b1	[mm]	19	19	19	19	19	19	19	20	22	24.5	26.5	28.5
b2	[mm]	121	121	206	206	206	228	252	330	413	472	619	619
d2	[mm]	19	19	19	19	19	19	23	23	28	28	28	31
h1	[mm]	226	233	273	278	310	347	386	493	606	670	852	936
∅ s1	[mm]	14	14	17	17	19	19	19	24	27	27	27	32
No. of holes		4	4	4	8	8	8	8	12	12	12	16	16
Turns/stroke		10	12	16	20	20	25	30	34	43	51	59	50
Weight approx.	[kg]	8.70	9.70	14.50	16.90	22.50	27.80	34.70	56.90	97.50	131.80	276.00	348.00
Volume approx.	[m ³]	0.011	0.013	0.018	0.02	0.028	0.038	0.053	0.09	0.147	0.207	0.318	0.426

PN 16

DN		500
D	[mm]	715
k	[mm]	650
L1	[mm]	700
b1	[mm]	31.5
b2	[mm]	726
d2	[mm]	34
h1	[mm]	1096
∅ s1	[mm]	32
No. of holes		20
Turns/stroke		64
Weight approx.	[kg]	538.00
Volume approx.	[m ³]	0.727