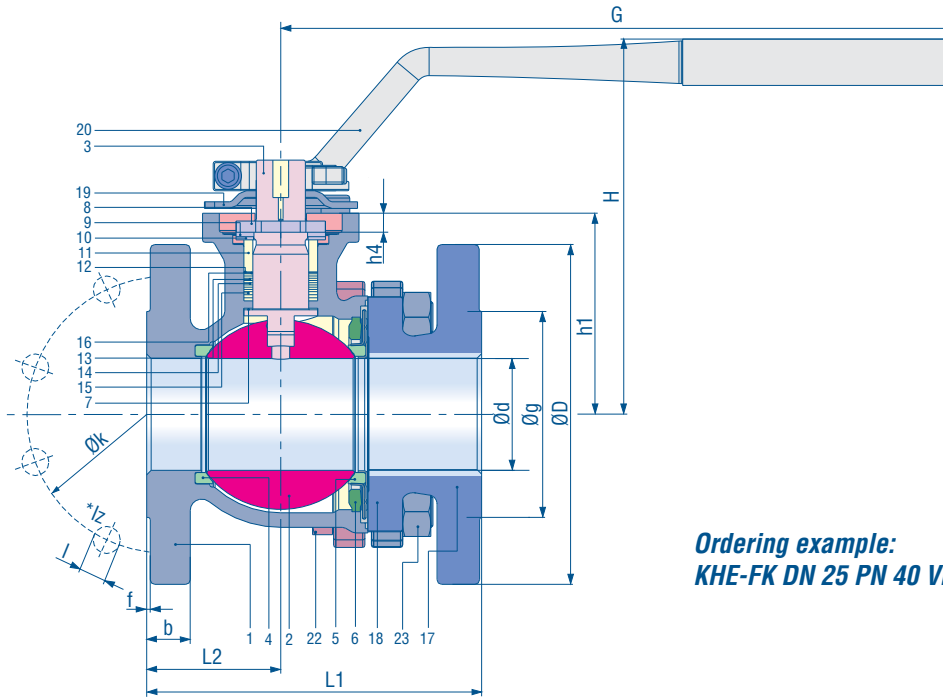




Split-body ball valves KLINGERballostar KHE

Flanges acc. to EN 1092-1 / PN 40 or PN 16, short design

Materials: carbon steel, stainless steel



KHE-FK

PN 40

DN 15 - 125
Material VIII, Xc

PN 16

DN 15 - 200
Material VIII, Xc

Face-to-face dimensions acc. to EN 558-1, basic series 27

Ordering example:
KHE-FK DN 25 PN 40 VIII-KFC-Laby.

Pressure range PN 40

DN	PN	Body dimensions					Flange dimensions							Weight kg/piece	
		d	L1	L2	H	G	h1	D	g	f	b	k	l		Iz ^{*1}
15	40	15	115	50	80	132	35	95	45	2	16	65	14	4	2.3
20	40	20	120	45	94	162	46	105	58	2	18	75	14	4	3.4
25	40	25	125	45	98	162	50	115	68	2	18	85	14	4	4.1
32	40	32	130	50	106	252	65	140	78	2	18	100	18	4	6.2
40	40	40	140	50	113	252	72	150	88	3	18	110	18	4	7.8
50	40	50	150	60	131	317	90	165	102	3	20	125	18	4	11.4
65	40	65	170	65	144	317	100	185	122	3	22	145	18	8	16.2
80	40	80	180	65	162	502	122	200	138	3	24	160	18	8	23.9
100	40	100	190	75	176	502	135	235	162	3	24	190	22	8	31.6
125	40	125	325	125	211	652	175	270	188	3	26	220	26	8	64

Pressure range PN 16^{*2}

DN	PN	Body dimensions					Flange dimensions							Weight kg/piece	
		D	L1	L2	H	G	h1	D	g	f	b	k	l		Iz ^{*1}
65	16	65	170	65	144	315	100	185	122	3	18	145	18	4	16.2
80	16	80	180	65	162	500	122	200	138	3	24	160	18	8	23.9
100	16	100	190	75	176	500	135	220	158	3	20	180	18	8	31.6
125	16	125	325	125	211	650	175	250	188	3	22	210	18	8	64
150	16	150	350	140	234	650	195	285	212	3	22	240	22	8	62.7
200	16	200	400	165	300	650	236	340	268	3	24	295	22	12	99.8

^{*1} = Number of drilling holes

^{*2} = DN 15-50 and DN 80: the flange dimensions of pressure stage PN 16 are equal to the measurements of PN 40 flanges.

Components and materials of standard type

Pos	Part	Material	
		VIII	Xc
1	Body	1.0619	1.4408
2	Ball	1.4301	1.4401
3	Operating stem	1.4104	1.4571, 1.4401
4	Sealing ring	KFC-25	KFC-25
5	Sealing element	KFC-25	KFC-25
6	Supporting ring	SINT C39	1.4404
7	Slip ring	KFC-25	KFC-25
8	Stuffing box nut	1.4404	1.4404
9	Loading ring	1.4404	1.4404
10	Belleville washer	1.4310	1.4310
11	Fem. Supporting ring	1.4404	1.4404
12	Antistatic disc	1.4401	1.4401
13	Disc	1.4401	1.4401
14	Stuffing box lamella	K-Flon	K-Flon
15	Washer	Graphite	Graphite
16	Washer	Graphite	Graphite
17	End piece	1.0619	1.4408
18	Sealing ring	Graphite	Graphite
19	Stop	1.4310	1.4310
20	Hand lever	steel nickle plated	
22	Heavy hex screw	8.8	A4-70
23	Heavy hex nut	8	A4