

# BALLOSTAR®

## KHA-FL

### Long flange design

#### GENERAL FEATURES

- » 3-piece ball valve with full or reduced bore
- » Floating ball, antistatic, lockable
- » Double tightness in both directions
- » Modular system components

#### CONNECTIONS

Flange in accordance with EN 1092-1 (VIII, Xc)  
Flange in accordance with EN 1092-2 (III)

#### DIMENSIONS

Face-to-face dimensions in accordance with EN 558-1, series 1

#### ACCEPTANCE TESTING

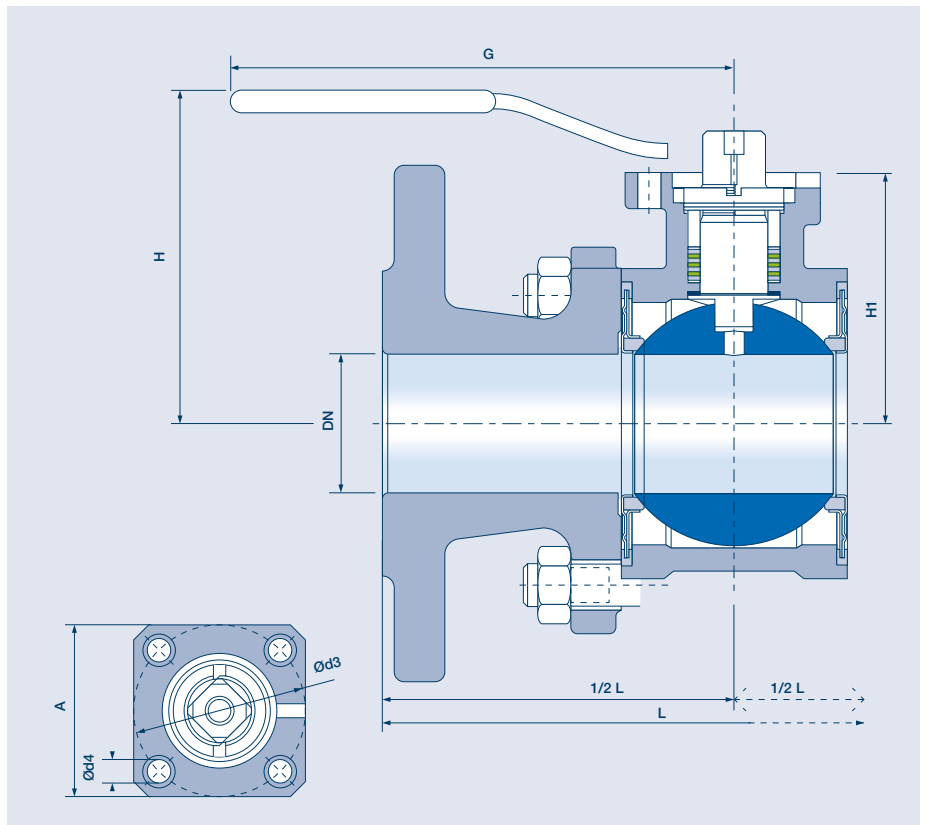
- » Seat leak tightness: EN 12266-1 P12, leakage rate A
- » Tightness to atmosphere: EN 12266-1 P11
- » Strength: EN 12266-1 P10

#### AUTOMATION

Flange connection in accordance with ISO 5211, allows for direct mounting of an actuator or by means of brackets. Pneumatic and electrical actuators utilizable.

#### TEMPERATURE

-196 °C to +400 °C (see pT diagram)



### KHA-FL VARIANTS

#### FULL BORE

Material: Grey cast iron EN-GJL-250  
(Material code III)\*

\*refers to flange, body made of steel casting

#### FULL BORE

Material: Steel casting 1.0619  
(Material code VIII)  
Stainless steel casting 1.4408  
(Material code Xc)

DN	Dimensions				PN			Mounting flange for actuator			Weight kg	
	L	H	H1	G	III	VIII	Xc	ISO	A	Ød3		Ød4
15	130	80	35	130	16			F04	42	42	5.8	2.4
50	230	131	90	315	16			F07	70	70	10	13.8
65	290	141	100	315	16			F07	70	70	10	20.7
80	310	162	122	500	16			F10	102	102	12	30.9
100	350	176	135	500	16			F10	102	102	12	44
10	120	80	35	130		40	40	F04	42	42	5.8	2.3
15	130	80	35	130		40	40	F04	42	42	5.8	2.4
20	150	94	46	160		40	40	F04	42	42	5.8	3.7
25	160	98	50	160		40	40	F04	42	42	5.8	4.7
32	180	106	65	250		40	40	F05	50	50	7	7.4
40	200	113	72	250		40	40	F05	50	50	7	9.8
50	230	131	90	315		40	40	F07	70	70	10	14.5
65	290	141	100	315		40	40	F07	70	70	10	20.6
80	310	162	122	500		40	40	F10	102	102	12	31.6
100	350	176	135	500		40	40	F10	102	102	12	44.8
125	400	211	175	650		40	40	F12	125	125	15	75.7