

BALLOSTAR®

KHA-SK

Short welding ends

GENERAL FEATURES

- » 3-piece ball valve with full or reduced bore
- » Floating ball, antistatic, lockable
- » Double tightness in both directions
- » Modular system components

CONNECTIONS

Welding ends in accordance with DIN EN 12627

DIMENSIONS

Face-to-face dimensions in accordance with DIN EN 12982, series 67

ACCEPTANCE TESTING

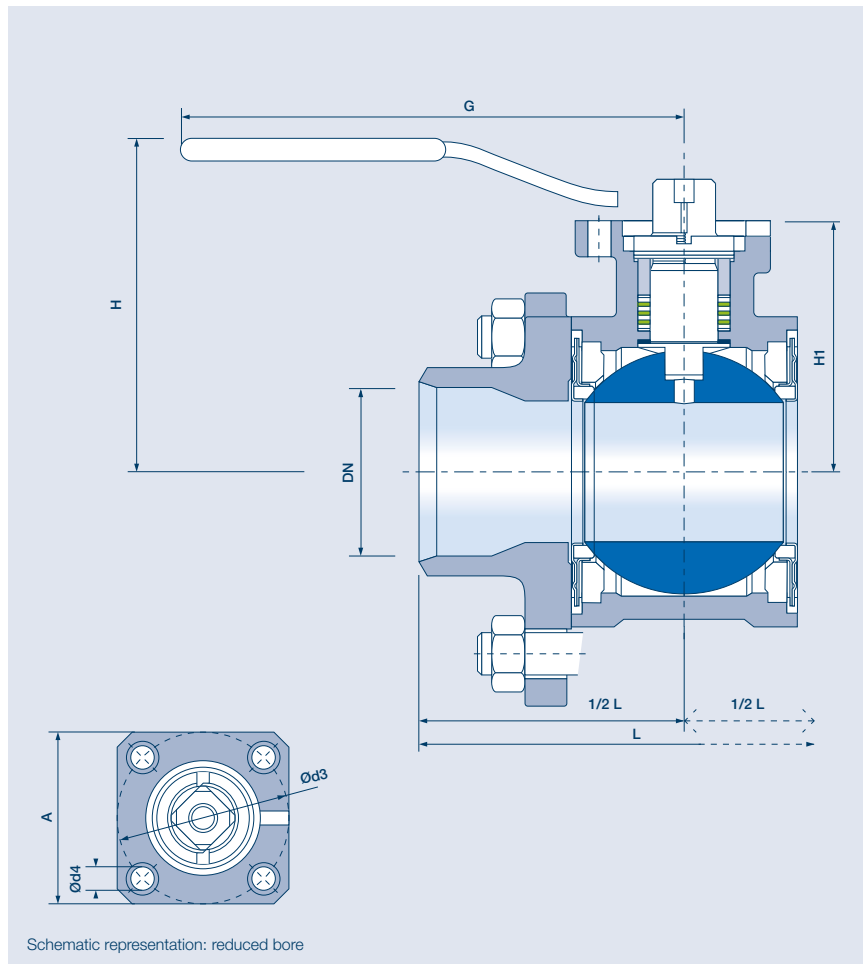
- » Seat leak tightness: EN 12266-1 P12, leakage rate A
- » Tightness to atmosphere: EN 12266-1 P11
- » Strength: EN 12266-1 P10

AUTOMATION

Flange connection in accordance with ISO 5211, allows for direct mounting of an actuator or by means of brackets. Pneumatic and electrical actuators utilizable.

TEMPERATURE

-196 °C to +400 °C (see pT diagram)



KHA-SK VARIANTS

FULL BORE
 Material: Steel casting 1.0619 (Material code VIII)
 Stainless steel casting 1.4408 (Material code Xc)

REDUCED BORE
 Material: Steel casting 1.0619 (Material code VIII)
 Stainless steel casting 1.4408 (Material code Xc)

DN	Dimensions				PN		Mounting flange for actuator			Weight kg	
	L	H	H1	G	VIII	Xc	ISO	A	Ød3		Ød4
10	70	80	35	130	100	63	F04	42	42	5.8	0.6
15	75	80	35	130	100	63	F04	42	42	5.8	0.8
20	90	94	46	160	100	63	F04	42	42	5.8	1.4
25	100	98	50	160	63	40	F04	42	42	5.8	1.6
32	110	106	65	250	63	40	F05	50	50	7	3
40	125	113	72	250	63	40	F05	50	50	7	4.7
20R15	90	80	35	130	100	63	F04	42	42	5.8	0.8
25R20	100	94	46	160	100	63	F04	42	42	5.8	1.4
32R25	110	98	50	160	63	40	F04	42	42	5.8	1.8
40R32	125	106	65	250	63	40	F05	50	50	7	3.1
50R40	150	113	72	250	63	40	F05	50	50	7	5