

# BVTT/BLTT PTFE bevonatos pillangószelepek

**DN50...DN500 PN10/16**

**BVTT - Wafer**  
 DN 50 - 500 • 2" - 20"

**BLTT - Lug**  
 DN 50 - 300 • 2" - 12"

Max working pressure:

BVTT/BLTT DN 50÷400: **10 Bar**

Flange: **PN 10-16-A150**

BVTT DN 500: **6 Bar**

Flange: **PN 10-16-A150**

**To be used for vacuum** (not with PTFE disc)

Design:

EN 593 ~ EN 736 ~ EN 12516 ~ EN 1092

ISO 5211 ~ DIN 3337 ~ API 609

PED 97/23/EC (cat III) Mod H

Face to face:

DIN EN 558-1 Series 20 ~ ISO 5752 Series 20

BS-5155 Series 4 ~ MSS-SP67

API 609 cat. A ~ NFE 29305-1

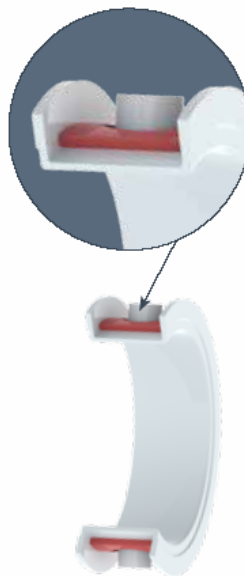
Testing:

EN 12266-1 Rate A ~ ISO 5208 Rate A

DIN 3230 ~ API 598

Tag:

EN 19 ~ MSS SP-25



The thickness of the PTFE body seat varies from 2,5 to 3 mm depending on the position



Alle the valves are supplied with a metallic label in compliance with PED directive.



## BODY

material	references	standard coating	lug	wafer
Ductile iron (wafer, lug)	EN-GJS 400-15 (GS400)	Epoxy RAL 5009	50-300	50-500
Carbon steel (wafer)	ASTM A216-WCB	Epoxy RAL 9005	-	50-500
Stainless steel (wafer)	ASTM A351 CF8M (A316)	-	-	50-500

## DISC

material	references	standard coating	coating on request	DN
Stainless steel	ASTM A351 CF8M (A316)	-	HALAR®	50-500
Stainless steel	ASTM A564 Type 630	PTFE	-	50-300
Hastelloy®	ASTM A494 CX2MW	-	-	50-500
Monel®	ASTM A494 M35-1	-	-	50-500

## BODY SEAT

ref.	designation	trade name	working temp.	applications
PTFE	polytetrafluorethylene	TEFLON®	-60°C / +190°C	acids, foods, solvents

On request can be supplied other materials as: LCB, Hastelloy, Monel, Uranus, Alloy, DUPLEX, Special steels, Special bronzes.  
 Coating on request: RILSAN®, Halar®, Chenisil®

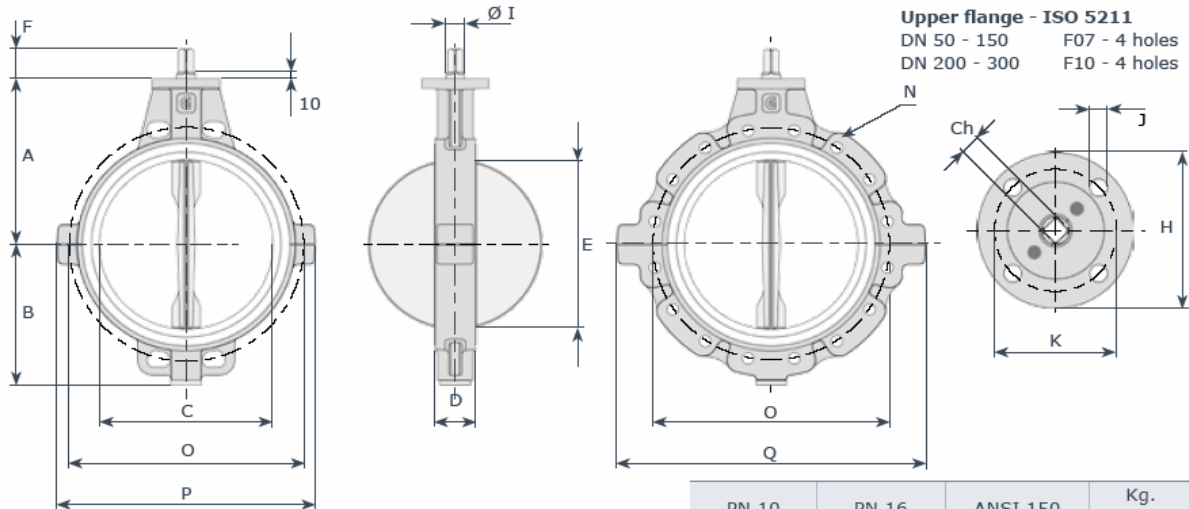
**ASG Hajtómű Kft**

Tatabánya Kossuth utca 82. \* H-2801 Tatabánya, Pf. 1431

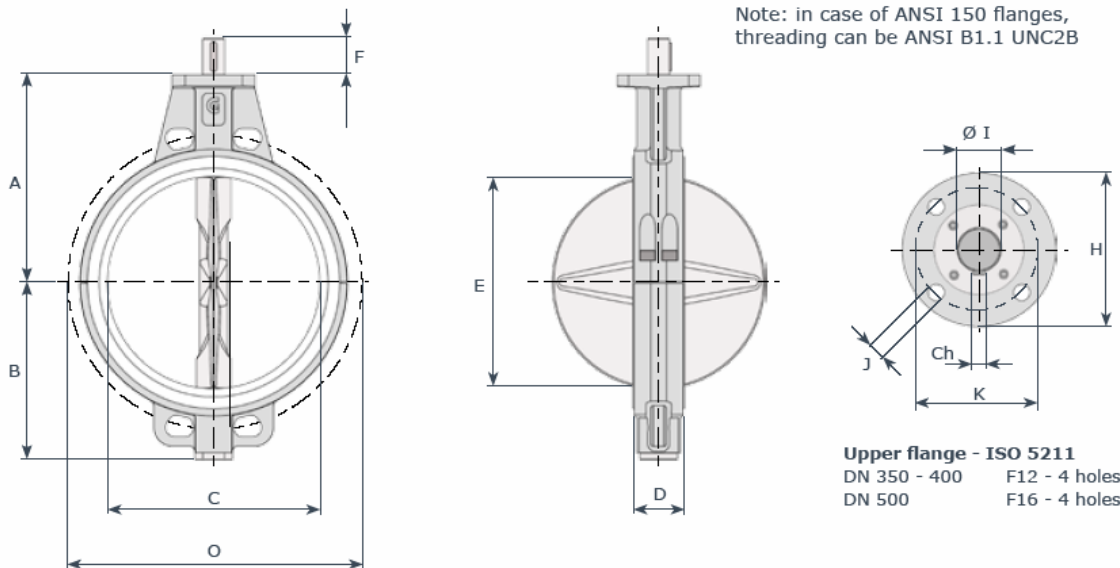
Tel: + 36 34 511 570 \* Fax: +36 34 314 296 \* E-mail: info@asghajtomu.hu \* http://www.asghajtomu.hu

GB\_BVTT\_01\_2012\_EN

**BVTT - Wafer BLTT - Lug**



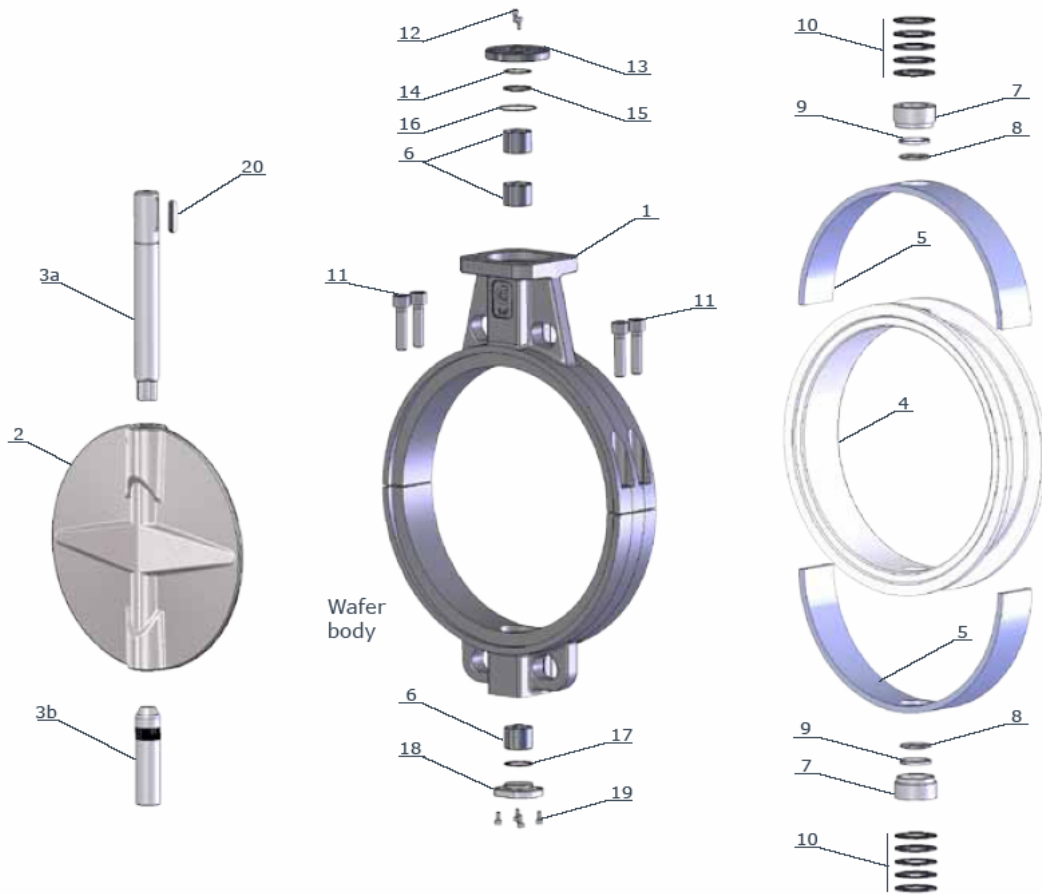
DN	"													PN 10		PN 16		ANSI 150			Kg.				
		A	B	C	D	E	F	Ø I	Ch	H	K	J	P	Q	N	n.	O	N	n.	O	N	n.	O	wafer	lug
50	2	138	81	55	43	35	34	14	11	90	70	9	165	165	M16	4	125	M16	4	125	M16	4	120.6	3.4	3.9
65	2½	144	98	68	46	50	34	14	11	90	70	9	186	186	M16	8	145	M16	8	145	M16	4	139.7	4.1	4.7
80	3	158	110	81	46	67	34	14	11	90	70	9	196	242	M16	8	160	M16	8	160	M16	4	152.4	4.4	7.6
100	4	173	128	101	52	87	34	16	11	90	70	9	220	270	M16	8	180	M16	8	180	M16	8	190.5	6.8	8.4
125	5	186	140	126	56	113	34	18	14	90	70	9	250	297	M16	8	210	M16	8	210	M20	8	215.9	8.8	11.2
150	6	202	155	150	56	140	34	18	14	90	70	9	278	321	M20	8	240	M20	8	240	M20	8	241.3	10.5	12.9
200	8	240	190	200	60	191	38	22	17	125	102	11	355	420	M20	8	295	M20	12	295	M20	8	298.4	15.2	25.0
250	10	270	220	250	68	241	38	30	22	125	102	11	398	472	M20	12	350	M24	12	355	M22	12	361.9	24.5	30.0
300	12	300	247	298	78	289	38	30	22	125	102	11	455	540	M20	12	400	M24	12	410	M22	12	431.8	32.0	45.0



DN	"	A	B	C	D	E	F	Ø I	Ch	H	K	J	Kg.
350	14	330	280	341	78	332	60	35	10	150	125	14	54
400	16	355	305	390	102	376	60	40	12	150	125	14	68
500	20	422	366	495	127	479	60	45	12	210	165	22	149

**BVTT - Wafer**

DN 350 - 500 • 14" - 20"  
 PN 10-16 • ANSI 150



item	q.ty	part	material	item	q.ty	part	material
1	1	body	<ul style="list-style-type: none"> <li>ductile iron GS400</li> <li>A216 - WCB</li> <li>A351 - CF8M (AISI 316)</li> </ul>	11	4	screw	<ul style="list-style-type: none"> <li>zinc plated steel</li> <li>AISI 316 (body AISI 316)</li> </ul>
2	1	body	<ul style="list-style-type: none"> <li>A351 - CF8M (AISI 316)</li> <li>HALAR® (on request)</li> </ul>	12	2	screw	<ul style="list-style-type: none"> <li>zinc plated steel</li> <li>AISI 316 (body AISI 316)</li> </ul>
3a	1	upper shafts	<ul style="list-style-type: none"> <li>AISI 316</li> </ul>	13	1	upper flange	<ul style="list-style-type: none"> <li>zinc plated steel</li> <li>AISI 316 (body AISI 316)</li> </ul>
3b	1	lower shafts	<ul style="list-style-type: none"> <li>AISI 316</li> </ul>	14	1	O.Ring	<ul style="list-style-type: none"> <li>FKM (VITON®)</li> </ul>
4	1	body seat	<ul style="list-style-type: none"> <li>PTFE</li> </ul>	15	1	stop ring	<ul style="list-style-type: none"> <li>steel</li> </ul>
5	1	elastic support	<ul style="list-style-type: none"> <li>silicon</li> </ul>	16	1	O.Ring	<ul style="list-style-type: none"> <li>FKM (VITON®)</li> </ul>
6	3	bush shaft	<ul style="list-style-type: none"> <li>A105 + PTFE</li> </ul>	17	1	O.Ring	<ul style="list-style-type: none"> <li>FKM (VITON®)</li> </ul>
7	2	housing	<ul style="list-style-type: none"> <li>AISI 316</li> </ul>	18	1	lower flange	<ul style="list-style-type: none"> <li>zinc plated steel</li> <li>AISI 316 (body AISI 316)</li> </ul>
8	2	O. Ring	<ul style="list-style-type: none"> <li>FEP + FKM (VITON®)</li> </ul>	19	4	screw	<ul style="list-style-type: none"> <li>zinc plated steel</li> <li>AISI 316 (body AISI 316)</li> </ul>
9	2	C. Ring	<ul style="list-style-type: none"> <li>PTFE</li> </ul>	20	1	key	<ul style="list-style-type: none"> <li>steel C40</li> </ul>
10	2	springs set	<ul style="list-style-type: none"> <li>steel</li> </ul>				

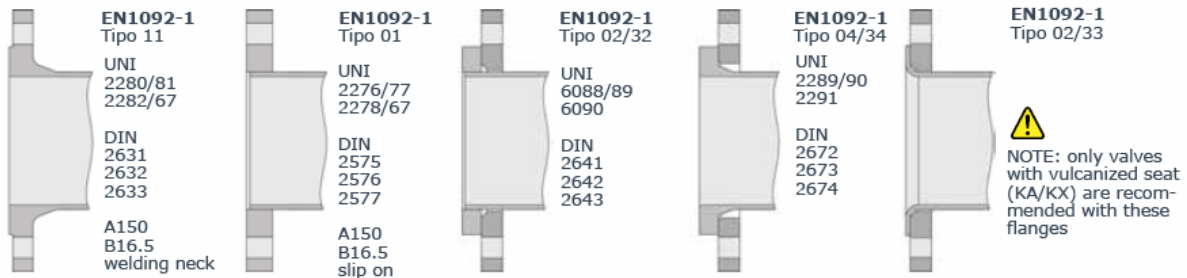
◇ parts included in spare kit

**ASG Hajtómű Kft**

Tatabánya Kossuth utca 82. \* H-2801 Tatabánya, Pf. 1431

Tel: + 36 34 511 570 \* Fax: +36 34 314 296 \* E-mail: info@asghajtomu.hu \* http://www.asghajtomu.hu

**Flanges to be used**



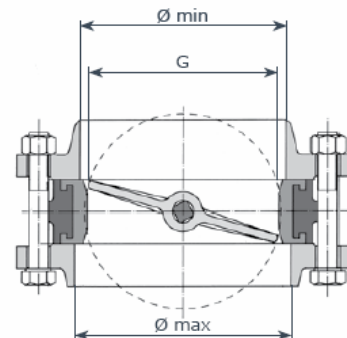
**Bolts and rods dimensions**

DN	Wafer valves								
	PN 10			PN 16			ANSI 150		
	Bolts	Rods	Nº	Bolts	Rods	Nº	Bolts	Rods	Nº
40	M16x90	M16x100	4	M16x90	M16x100	4	M14x90	M14x110	4
50	M16x100	M16x120	4	M16x100	M16x120	4	M16x100	M16x130	4
65	M16x110	M16x130	8	M16x110	M16x130	8	M16x110	M16x140	4
80	M16x110	M16x130	8	M16x110	M16x130	8	M16x120	M16x150	4
100	M16x120	M16x140	8	M16x120	M16x140	8	M16x120	M16x150	8
125	M16x120	M16x150	8	M16x120	M16x150	8	M20x130	M20x160	8
150	M20x130	M20x160	8	M20x130	M20x160	8	M20x140	M20x160	8
200	M20x140	M20x170	8	M20x140	M20x170	12	M20x150	M20x170	8
250	M20x150	M20x180	12	M24x150	M24x180	12	M22x160	M22x190	12
300	M20x160	M20x190	12	M24x160	M24x190	12	M22x170	M22x210	12
350	M20x160	M20x190	16	M24x170	M24x200	16	M24x180	M24x220	12
400	M24x190	M24x220	16	M27x210	M27x240	16	M27x210	M27x250	16
450	M24x200	M24x230	20	M27x220	M27x250	20	M27x230	M27x270	16
500	M24x210	M24x240	20	M30x240	M30x280	20	M27x250	M27x290	20

DN	Lug valves - Double Flange valves					
	PN 10		PN 16		ANSI 150	
	Bolts	Nº	Bolts	Nº	Bolts	Nº
40	M16x30	8	M16x30	8	M14x30	8
50	M16x35	8	M16x35	8	M16x35	8
65	M16x40	16	M16x40	16	M16x40	8
80	M16x40	16	M16x40	16	M16x40	8
100	M16x40	16	M16x40	16	M16x45	16
125	M16x45	16	M16x45	16	M20x50	16
150	M20x45	16	M20x45	16	M20x50	16
200	M20x50	16	M20x50	24	M20x55	16
250	M20x55	24	M24x55	24	M22x60	24
300	M20x60	24	M24x60	24	M22x60	24
350	M20x60	32	M24x65	32	M24x65	24
400	M24x70	32	M27x70	32	M27x80	32
450	M24x80	40	M27x80	40	M27x80	32
500	M24x80	40	M30x80	40	M27x90	40

NOTE 1: Screw and rod dimensions have been calculated with WELDING NECK flanges PN 6/10/16 (EN1092-1 Tipe 11) ANSI150 (ANSI B16.5)

NOTE 2: Number of nuts should be double when WAFER valves are assembled with threaded rods.



DN	40	50	65	80	100	125	150	200	250	DN	300	350	400	450	500	600	700	800
G	36	35	50	67	87	113	140	191	241	5°	289	332	376	430	479	575	670	757
Ø min	29	44	60	75	98	122	148	196	244	10°	296	332	378	428	478	566	681	782
Ø max	49	62	80	93	118	146	175	225	275	15°	330	372	422	450	500	600	717	815