

## SK - SQ limit switch box series

Compact limit switch box for hazardous areas, with explosionproof protection method.

### Features

- Twin shaft design
- Metallic self lubricant bushings
- Aluminium or 316L stainless steel housing option for maximum corrosion protection
- 2 cable entries either metric or imperial
- Adjustable mounting kit for NAMUR actuators available on request
- Easy wiring through the terminal PCB board
- Suitable for arctic environments

### Approvals

#### ATEX, IECEx, EAC, CCOE, INMETROL:

Ex II 2GD Ex db IIC T4/T5/T6 Gb  
Ex tb IIIC T135/T100/T85°C Db  
Ta:  $-55\text{ °C} \leq Ta \leq 105\text{ °C} / 80\text{ °C} / 60\text{ °C}$

#### UL (available on Sk series only):

Class I Division 1 Groups A, B, C, D Division 2 Groups A, B, C, D  
Class II Division 1 Groups E, F, G Division 2 Groups F, G

**SIL certificate:** Up to SIL 3 certified by TÜV

**Protection rating:** IP 66 / 67

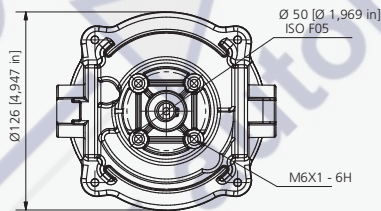
IP 66 / 68 15 m for 100 hours  
Nema 4 4X on request

**Temperature:**

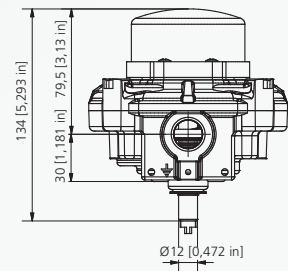
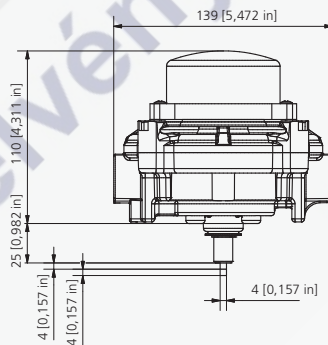
$-20\text{ to }+80\text{ °C}$  ( $-4\text{ to }+176\text{ °F}$ ) standard temperature range  
 $-55\text{ to }+105\text{ °C}$  ( $67\text{ to }+221\text{ °F}$ ) available on request



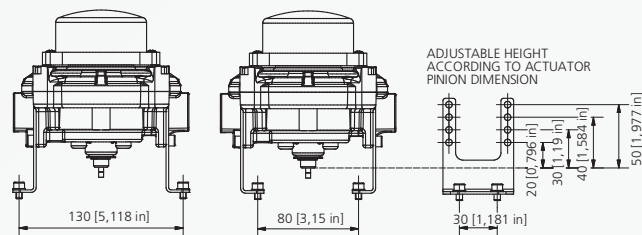
### SK limit switch box



### SQ limit switch box



### Optional adjustable mounting kit for NAMUR actuators



# SK - SQ limit switch box series

## Nomenclature

SK N1 2 0 0 - 1 1 X 2 1 A 3

### Box

SK = Die-cast aluminium enclosure  
SQ = 316L stainless steel enclosure

### Switch

01 = SPDT el.mech. switch silver plated contacts  
03 = SPDT el.mech. switch gold plated contacts  
1F = DPDT el.mech. switch silver plated contacts  
C4 = SPDT magnetic hermetically sealed reed switch  
N1 = SPDT magnetic hermetically sealed silver plated snap acting contacts  
N3 = SPDT magnetic hermetically sealed gold plated snap acting contacts  
73 = Inductive proximity sensor model NBB2-V3-E2, 3 wire PNP NO

See additional information and options on pages 14-19

### Switch Quantity

2 = 2 switches

### Terminals

0 = Screw type terminals with sov connection  
E = Cage clamp terminals with sov connection (for low temp.)

### Coating

0 = Black powder coating (SK Series) Aluminium  
E = Electro polish finishing (SQ Series) Stainless Steel

### Cable Entries

1 = 2 cable entries 1/2" NPT  
2 = 2 cable entries M20 x 1.5

### Visual Position Indicator

0 = 3D plastic visual position indicator red and green  
T = 3D stainless steel position indicator

See additional information and options on page 11

### Approval

X = ATEX and IECEx certified box  
D = ATEX and IECEx certified box with SIL2 approval  
E = ATEX and IECEx certified box with SIL3 approval  
G = EAC certification for Russian market  
I = INMETRO certification for Brazilian market  
N = NEPSI certification for Chinese market  
J = CCOE certification for Indian market  
U = UL certified box (only for SK series)  
W = Weather proof  
\* SIL2 / SIL3 options available on request

See additional information and options on page 13

### Marking

0 = Standard location  
2 = Certification marking: Ex II 2GD Exd IIC  
7 = cULus Class 1/2 Div1 (only for SK series)  
8 = cULus Class 1/2 Div 1/2 with switches code: C4, N1, N3. (Only for SK series)

See additional information and options on page 13

### IP Protection rating

1 = Weather proof IP66/IP67  
3 = Weather proof IP66/IP68  
7 = Nema 4 and 4X

### Temperature

A = Ambient temperature range: -20 to +80 °C (-4 to +176 °F)  
L = Ambient temperature range: -40 to +80 °C (-40 to +176 °F)  
N = Ambient temperature range: -55 to +80 °C (-67 to +176 °F) for switch code C4

### Material

3 = Die-cast aluminium heavy duty body and cover (on SK series)  
7 = 316L Stainless steel heavy duty enclosure (on SQ series)

Note: Optional mounting kit for NAMUR actuators ordering code: KN07